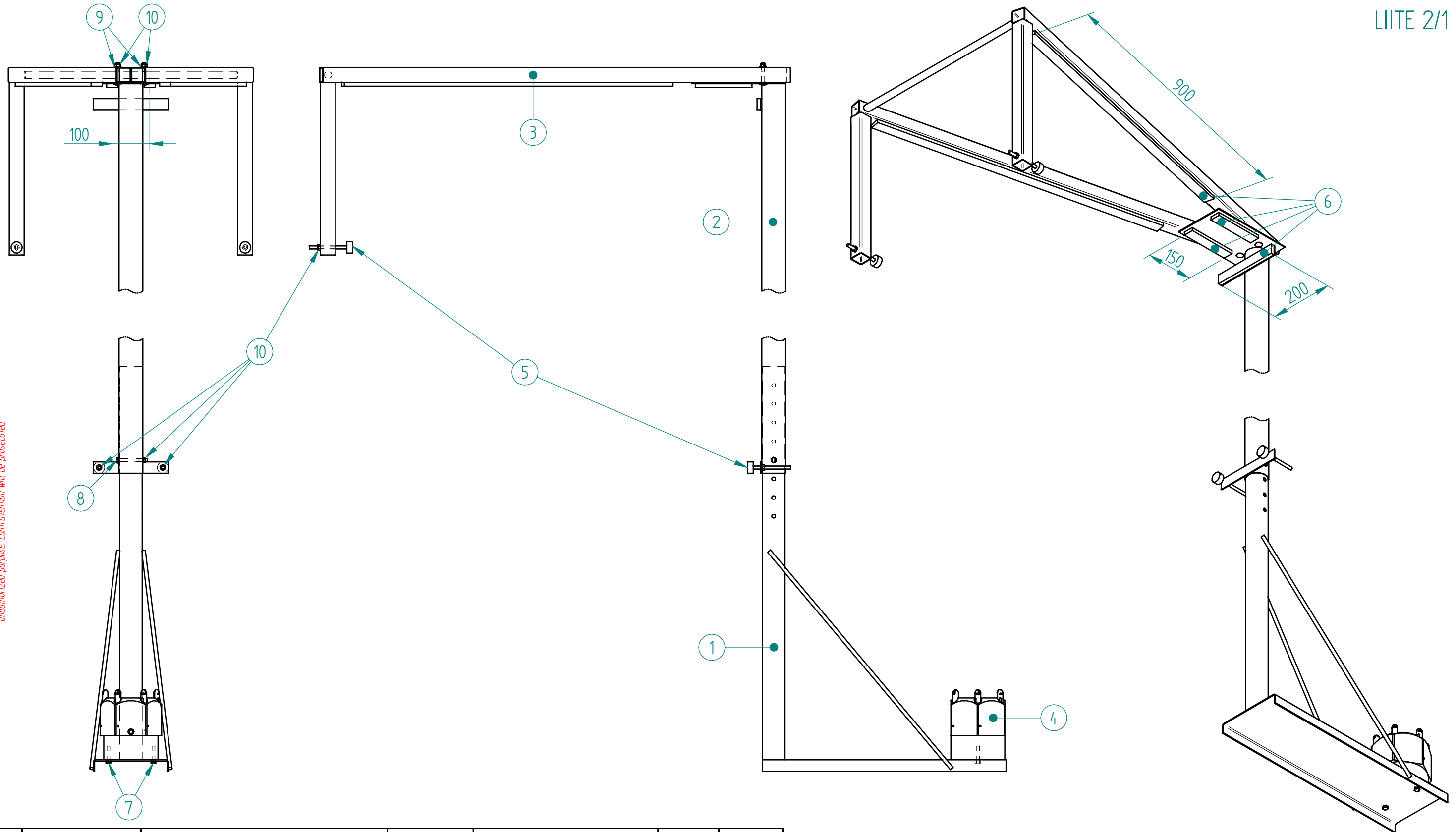


This document must not be copied without our written permission, and the contents thereof must not be imparted to a third party nor be used for any unauthorized purpose. Contravention will be prosecuted.



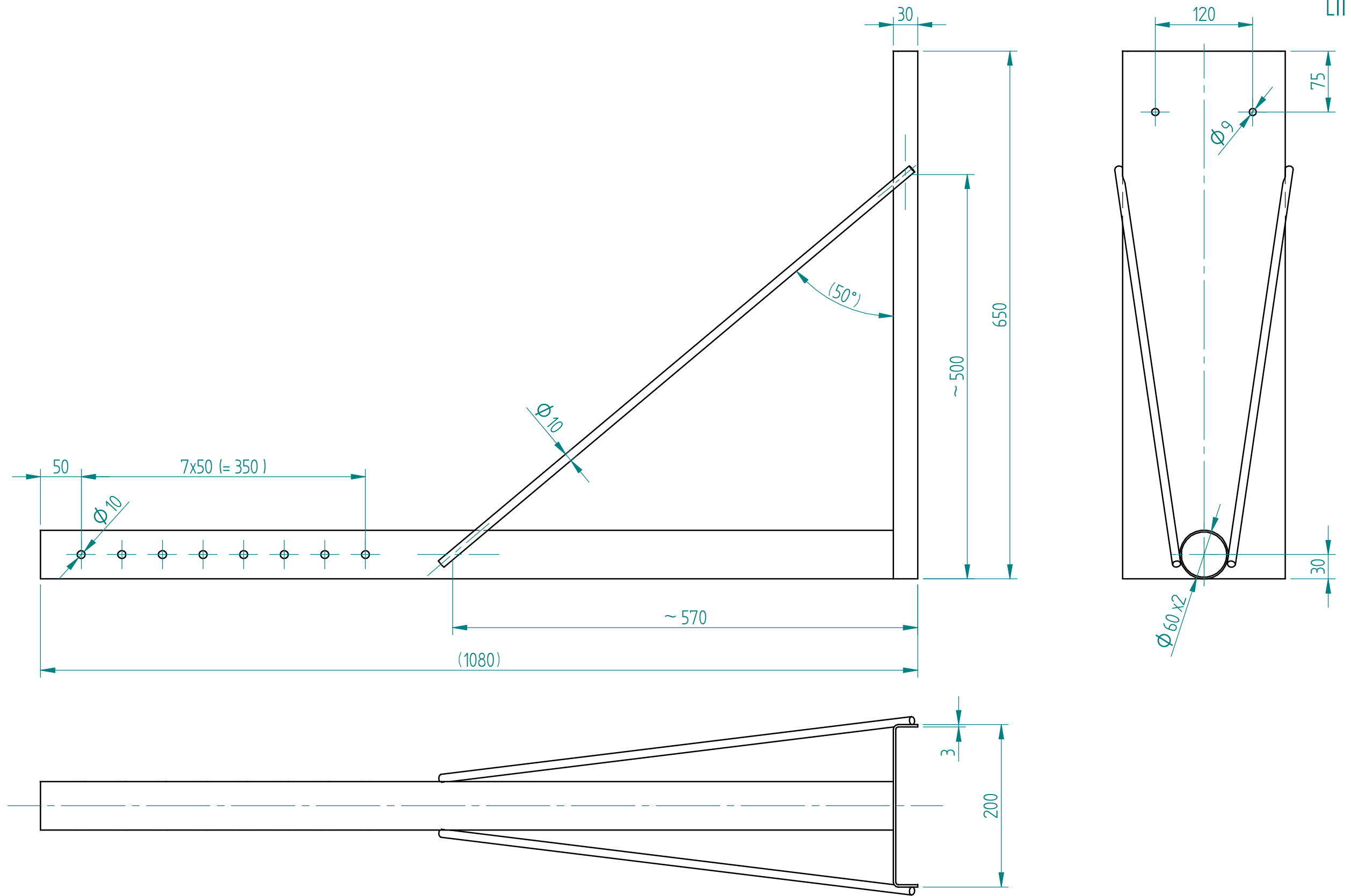
10		Kuusiomutteri M8	ISO 4032		7
9		Aluslaatta 8,4	SFS 2041		2
8		Kuusioruuvi M8 x 75	ISO 4016		1
7		Kuusioruuvi M8 x 40	ISO 4016		2
6		Kumipehmuste, tarrakiinnitys		~ 30 x 10	5
5		Kumityyny, M8 x 100 ulkokierre			4
4		Tuotteen yläpää, testimalli			1
3	K00343-4	Testiteline, kiinnitysosa		AISI 304	1
2	K00343-3	Testiteline, yläpää		AISI 304	1
1	K00343-2	Testiteline, alapää		AISI 304	1
Osa	Piirustusnumero	Osan tai kokoonpanoryhmän	Standardi	Muoto, malli, määrä	Laatu
	Tavaratunnus	nimitys	tai luettelo		Kpl

Materiaali: AISI 304

Yleistoleranssi: ISO 2768-mK

BLANK	ISSUE BY DEPT	MM/DD/YY	DESCRIPTION (ENGLISH)	ASSEMBLY DRAWING
		08/24/05		
DRAWING CHECKED BY	DRAWN BY		DESCRIPTION (FINNISH)	
	JeL		Vaihtotyökalun testausteline	
			K00343-1	REV IND SHEET 1/4 CONT

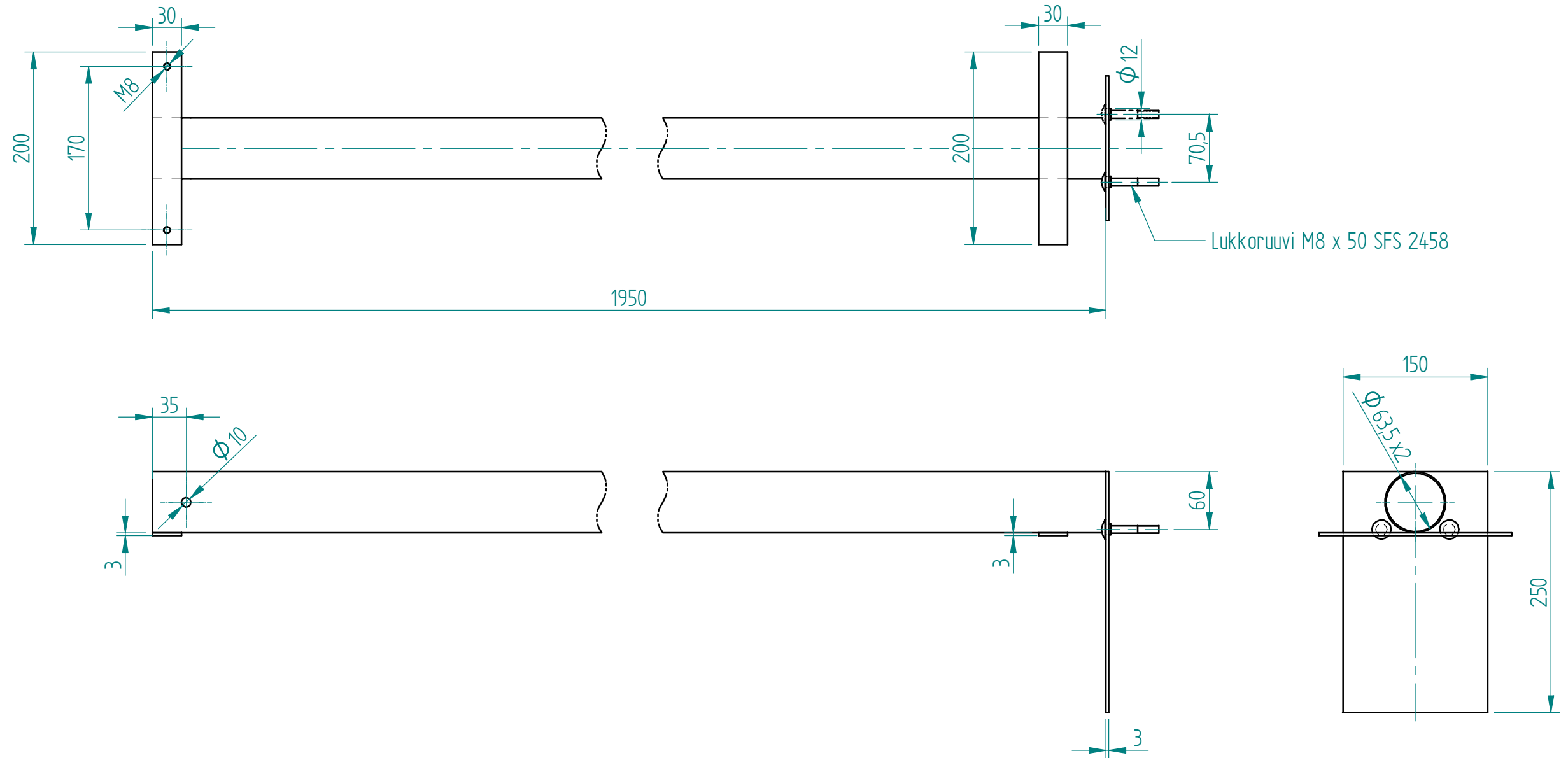
This document must not be copied without our written permission, and the contents thereof must not be imparted to a third party nor be used for any unauthorized purpose. Contravention will be prosecuted.



Materiaali: AISI 304

Yleistoleranssi: ISO 2768-mK

BLANK	ISSUE BY DEPT MM/DD/YY 08/24/05	DESCRIPTION (ENGLISH)	ASSEMBLY DRAWING
DRAWING CHECKED BY	DRAWN BY JeL	DESCRIPTION (FINNISH) Vaihtotyökalun testausteline	
		K00343-2	REV IND SHEET 2/4 CONT

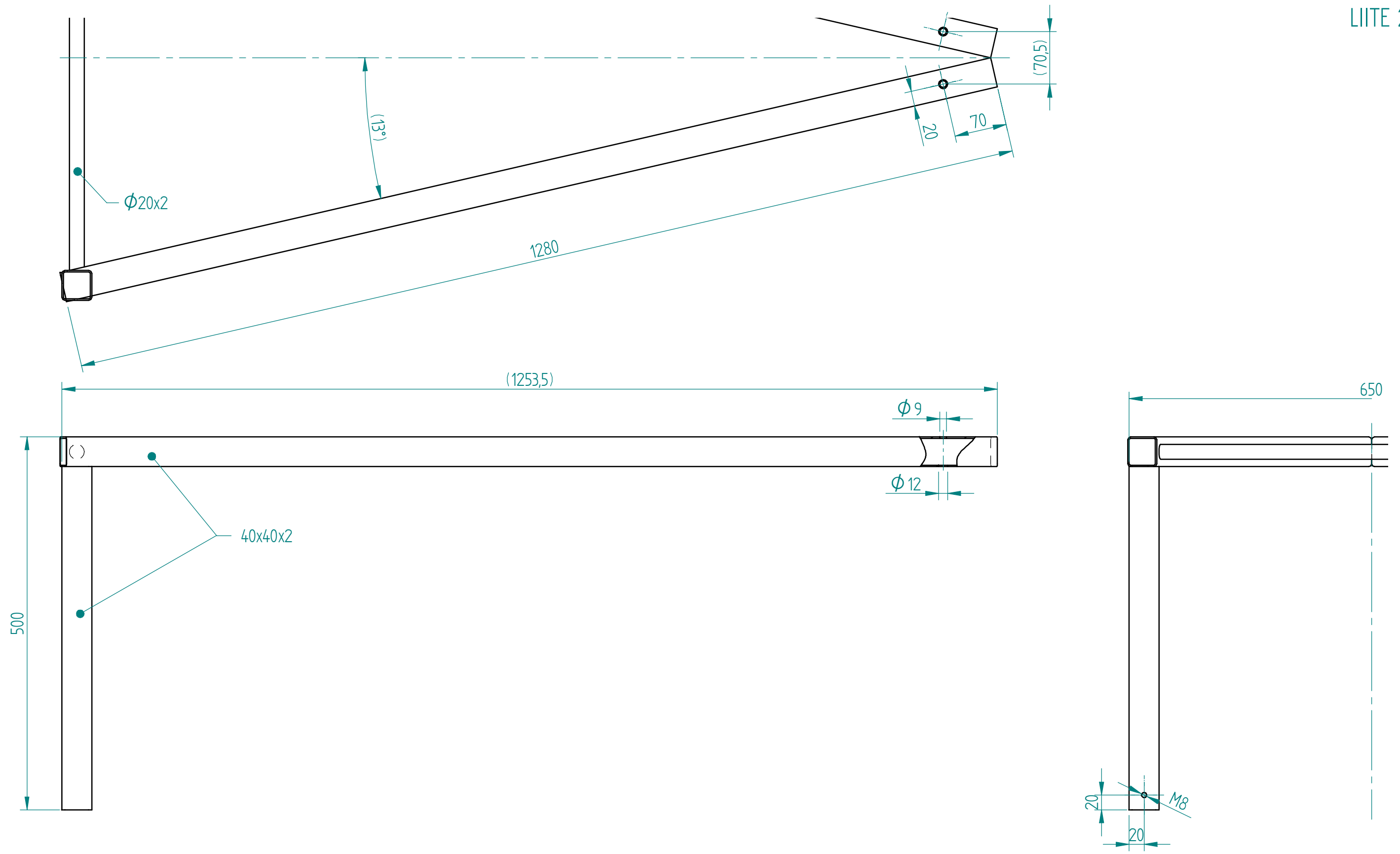


This document must not be copied without our written permission, and the contents thereof must not be imparted to a third party nor be used for any unauthorized purpose. Contravention will be prosecuted.

Materiaali: AISI 304

Yleistoleranssi: ISO 2768-mK

BLANK	ISSUE BY DEPT MM/DD/YY 08/24/05	DESCRIPTION (ENGLISH)	ASSEMBLY DRAWING
DRAWING CHECKED BY	DRAWN BY JeL	DESCRIPTION (FINNISH) Vaihtotyökalun testausteline	
		K00343-3	REV IND SHEET 3/4 CONT



This document must not be copied without our written permission, and the contents thereof must not be imparted to a third party, nor be used for any unauthorized purpose. Contravention will be prosecuted.

Materiaali: AISI 304

Yleistoleranssi: ISO 2768-mK

BLANK	ISSUE BY DEPT MM/DD/YY 08/24/05	DESCRIPTION (ENGLISH)	ASSEMBLY DRAWING
DRAWING CHECKED BY	DRAWN BY JeL	DESCRIPTION (FINNISH) Vaihtotyökalun testausteline	
		K00343-4	REV IND
			SHEET 4/4 CONT