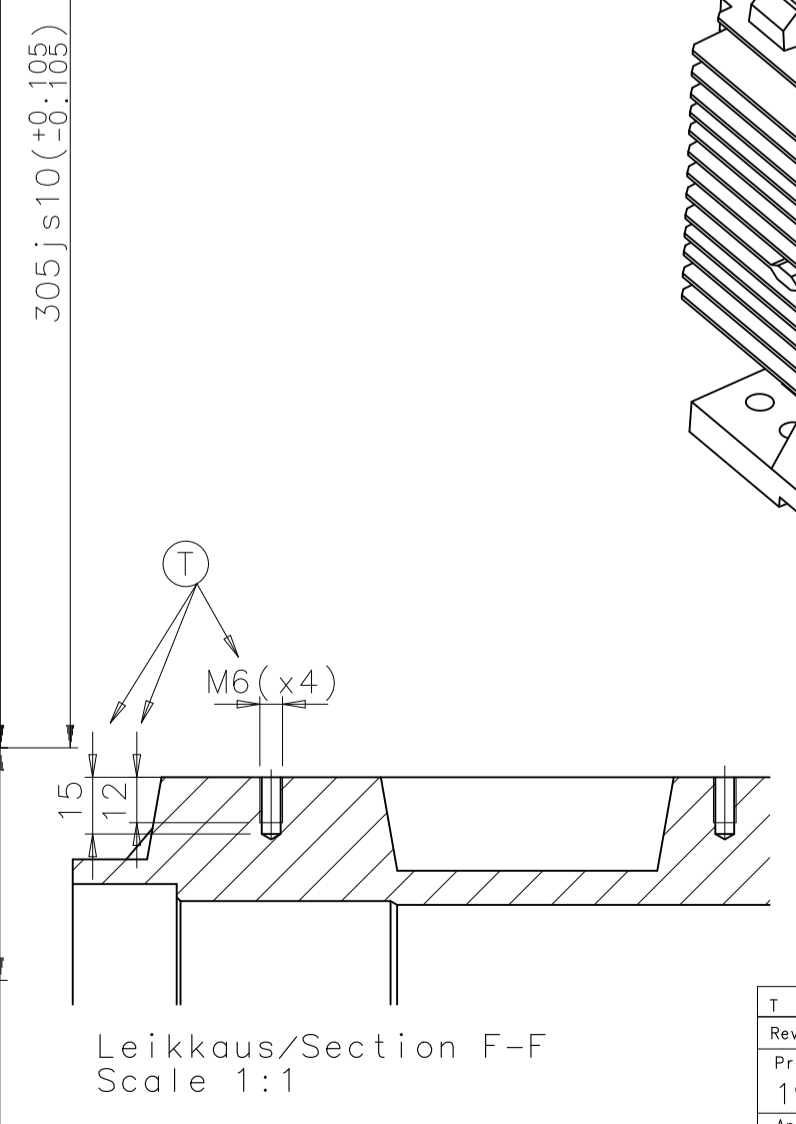
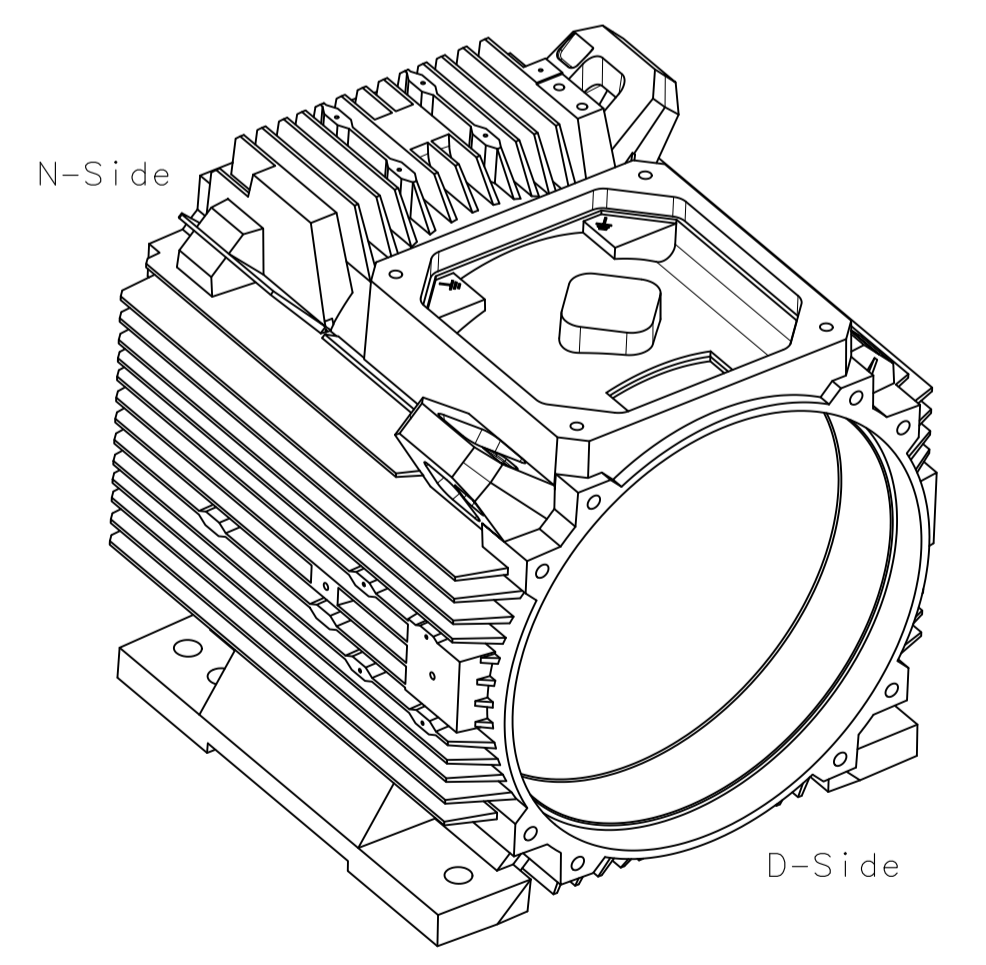
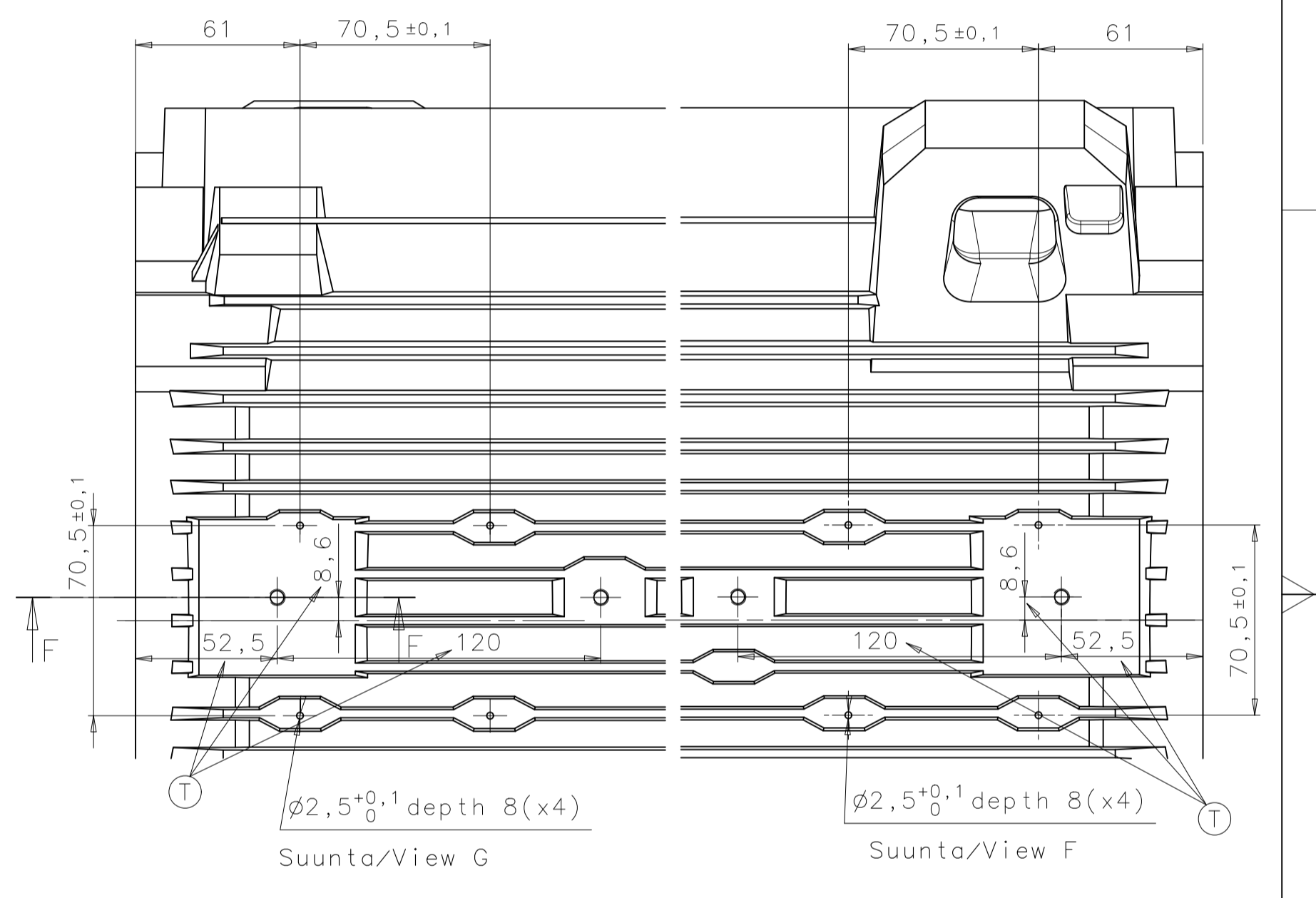
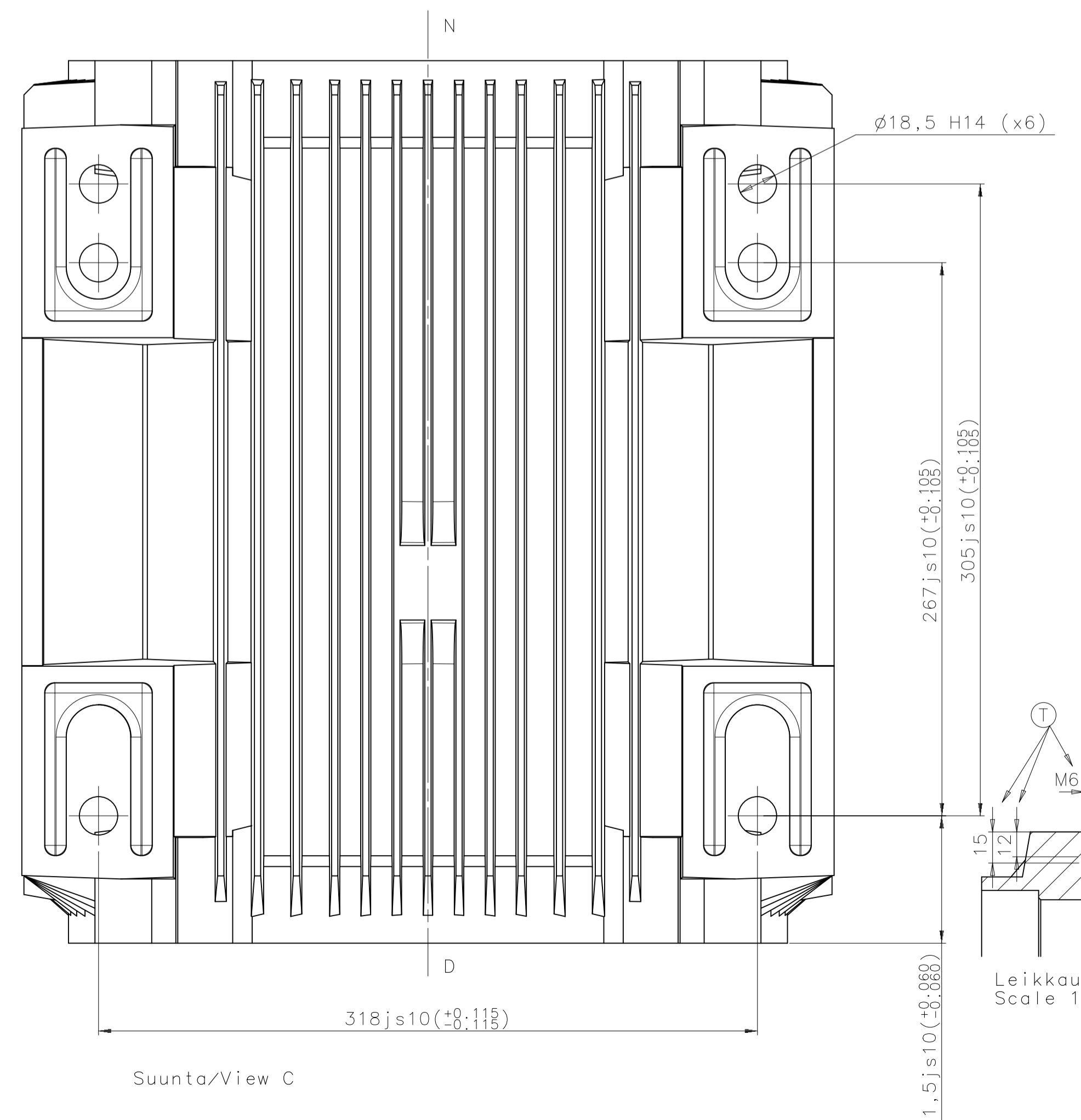
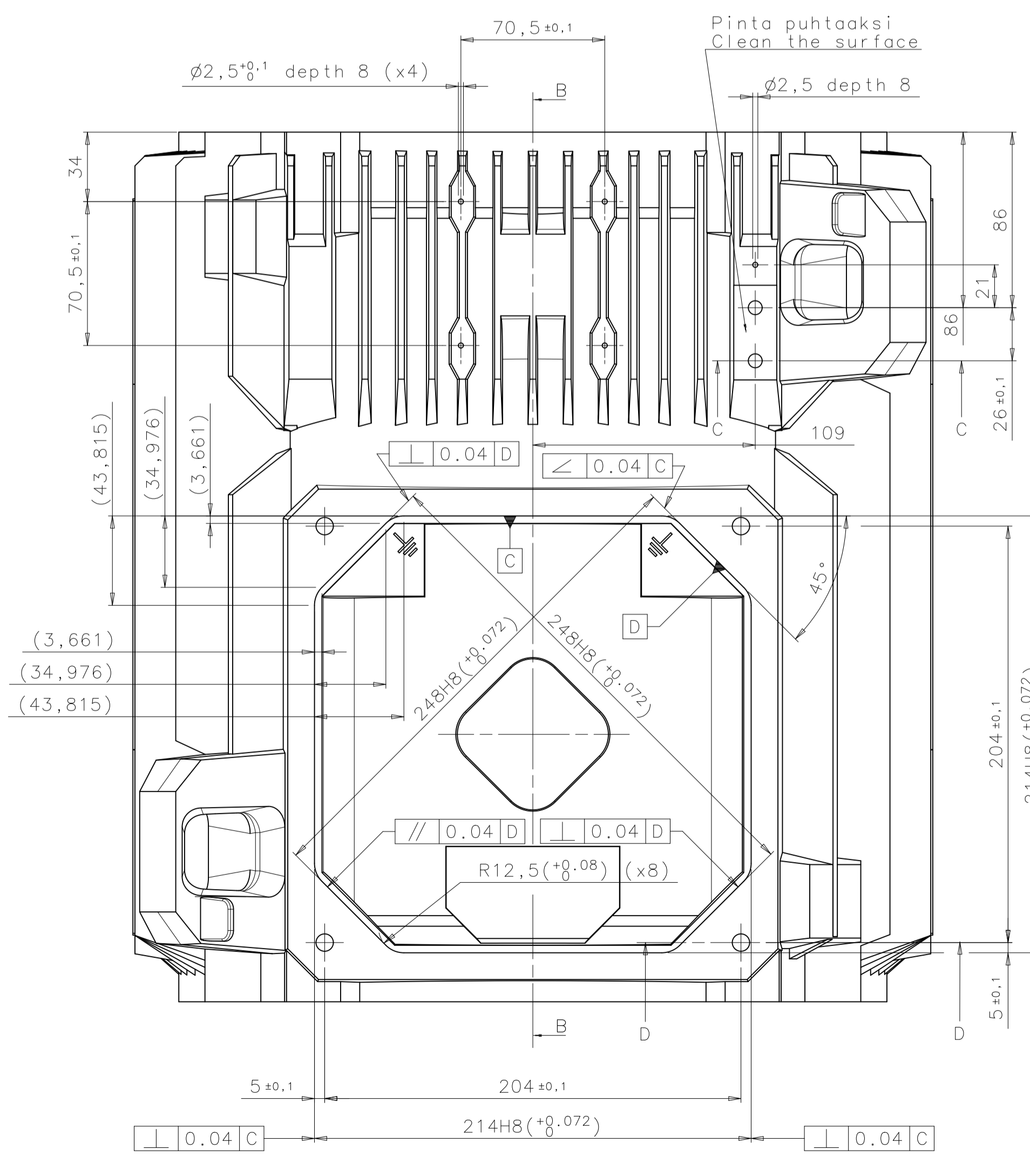
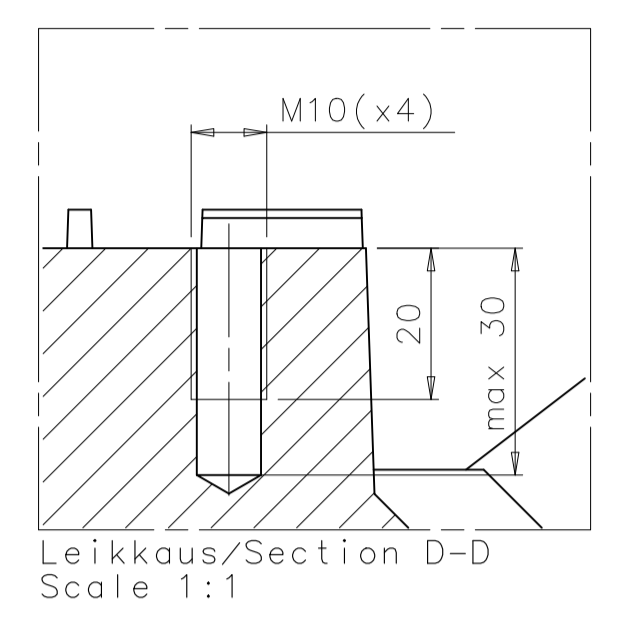
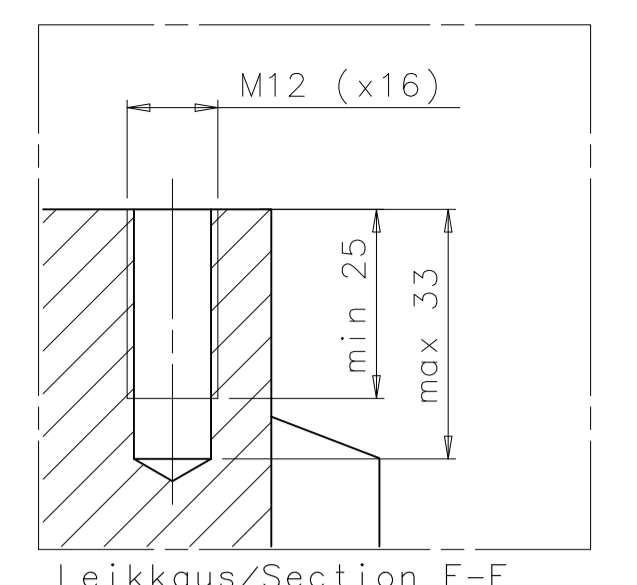
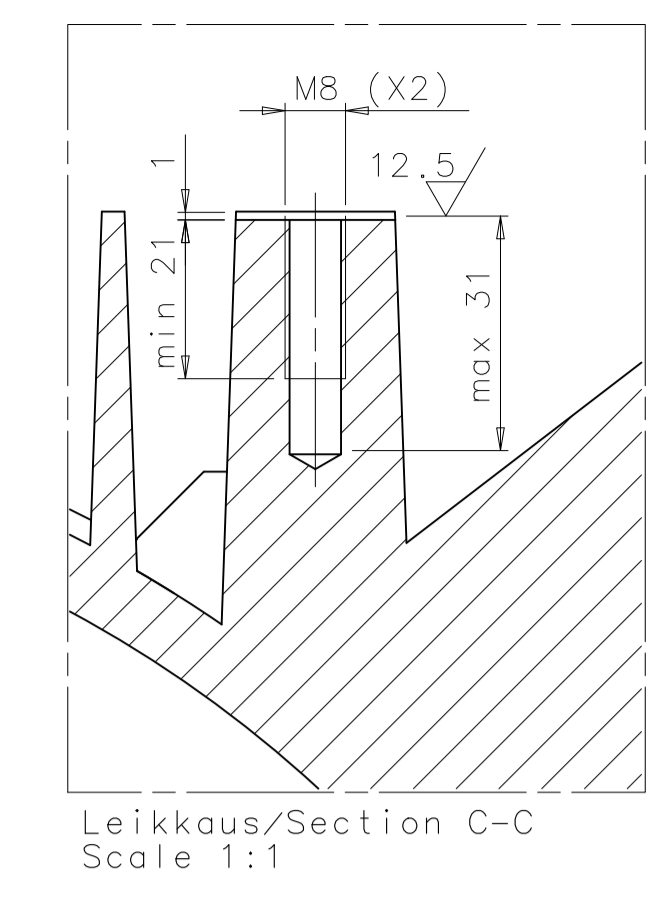
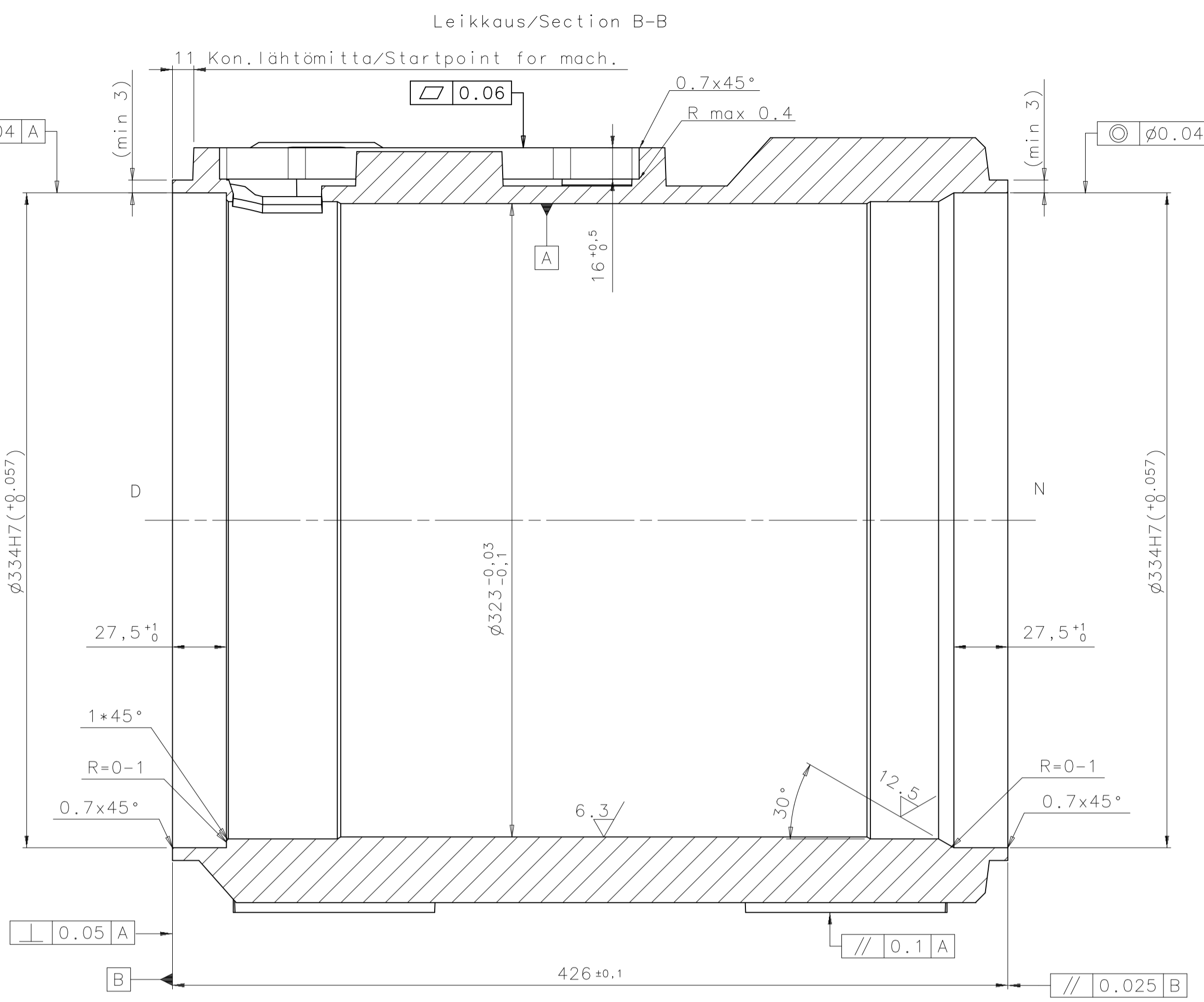
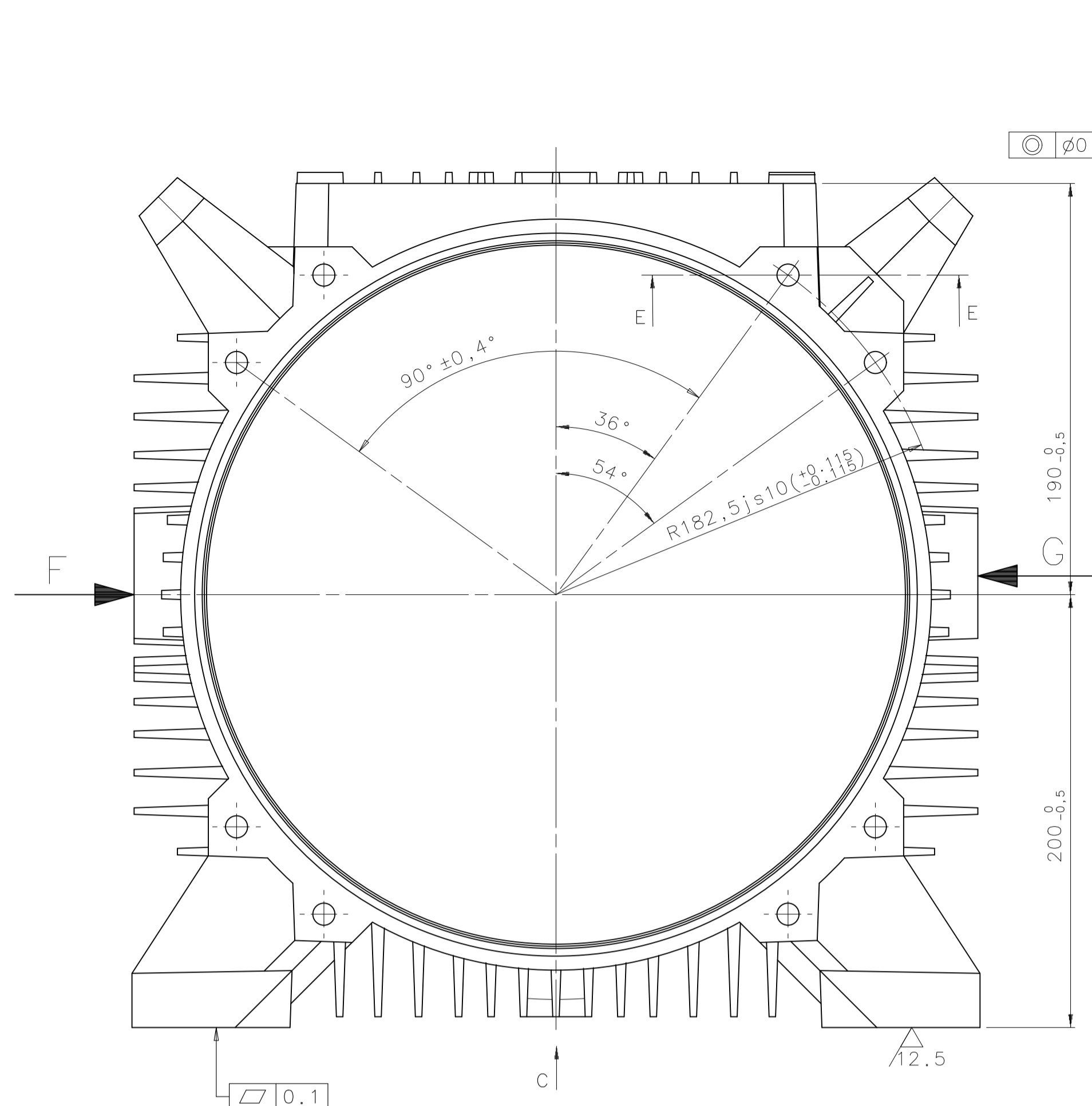


A  
B  
C  
D  
E  
F  
G  
H

A  
B  
C  
D  
E  
F  
G  
H



Rev	Change	Date	Prep.	Approved	Scale
T	Four holes for fixing of the intermediate flange added. Dim. 15, 12, M6, 52.5, 8.6, and 120 added	2011-08-26	BELI	J.-P. Alonen	1:2
Prepared	1999-12-08 B. Lillsjö				1:2
Approved	1999-12-08 J.-P. Alonen				1:2
Material	3GZF114020-1				85
Supersedes					A1
Superseded by	M3KP/JP 200ML B3				A1
Document No.	3GZF113020-20				1/1

ABB Oy, Motors and Generators